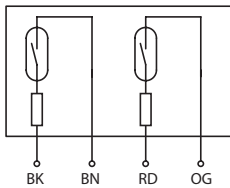


Coded Magnetic Switch Series MAK-50

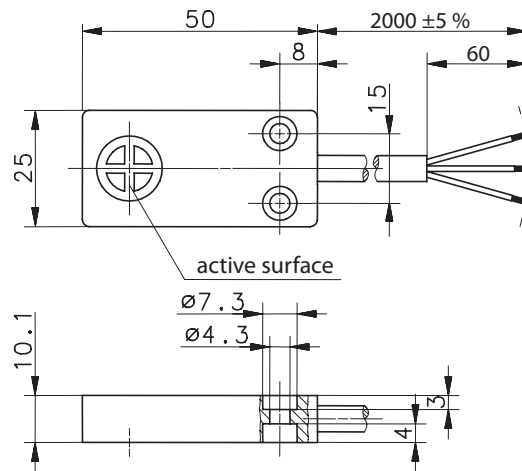
Description **MAK-5046-C-2**

Article number **6490650372**

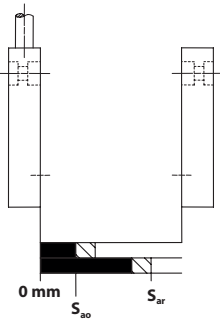
Wiring diagram



Dimension drawing



Actuating direction / Operating distance



Technical data

| | |
|----------------------------------|--|
| Switching function | 2 x NO |
| Reference magnet | TK-50-CD/2 (6402050086) |
| Assured operating distance - ON | $S_{ao} \geq 6 \text{ mm}$ |
| Assured operating distance - OFF | $S_{ar} \leq 22 \text{ mm}$ |
| Repeat accuracy | R $\pm 0,1 \text{ mm}$, under same geometrical conditions at the same temperature |
| Utilization category | DC-12 |
| Frequency of operating cycles | f 1 Hz |


| Electrical data | |
|---------------------------------------|---|
| Max. voltage | 30 V DC |
| Max. switching current | 0,08 A |
| Max. switching capacity | 0,25 W |
| Internal series resistor | 27 Ω, per channel |
| Protection class acc. to EN IEC 61558 | III (safety extra-low voltage) |
| Note | Combinations of switching voltage and switching current must not exceed the maximum switching capacity. |

| Mechanical data | |
|-------------------|---|
| Enclosure | PBT, black; encapsulated reed contact |
| Mounting | 2 holes Ø 4,3 (for M4 screws) |
| Temperature range | - 5 °C ... + 70 °C (cable not fixed mounted) - 25 °C ... + 70 °C (cable fixed mounted) |
| Mechanical life | 3 x 10 ⁸ operating cycles |
| Vibration | 10 G (10 - 1200 Hz) |
| Shock | 100 G (11 ms, ½ Sinewave) |
| Protection type | IP 67 acc. to EN 60529 |
| Pollution degree | 3 acc. to EN 60947-1 |
| Termination type | Cable 4 x AWG26, PVC - Outer jacket, black |
| Assembly position | optional (assembly on ferromagnetic material means reduction of switch distance) |

| ID for safety engineering | |
|---------------------------|--|
| B10d | 20 x 10 ⁶ cycles (20 % load) 0,4 x 10 ⁶ cycles (nominal load) |
| Mission time | 20 years |

| Standards | |
|-----------|---|
| | DIN EN ISO 13849-1 |
| | EN 60947-5-3 |
| Note | The EN 60947-5-3 standard is only fulfilled by a complete system that consists of a coded magnetic switch with related actuator and suitable safety controller. |

| EG Conformity | |
|---------------|--|
| | acc. to directive 2006/42/EC (Safety-of-Machinery-Directive) |

| Approvals | |
|-----------|---|
| |  |
| | UL Listed, Ind. Cont. Eq. / Class 2 Power source |

| Notes | |
|-------|---|
| | Contact protection must be provided for inductive and capacitive loads. |